

COMPACTO

*The simple and flexible
load management
for residential
buildings, business
and industry!*

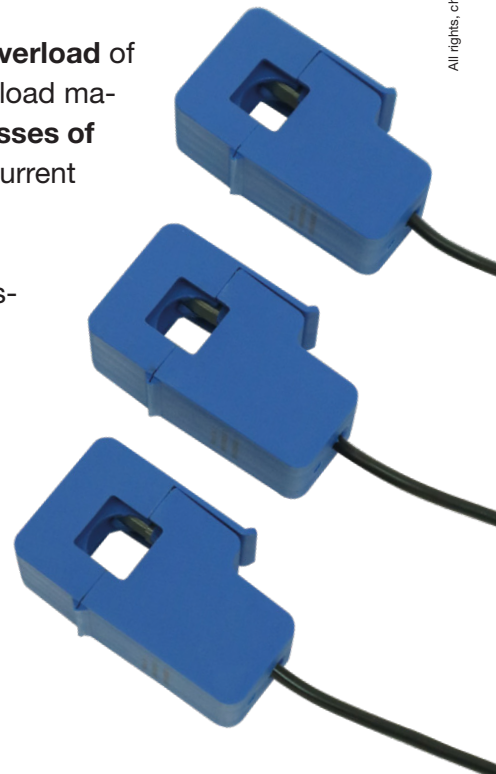
Get more power for charging



The modular, expandable compact solution for optimal charging control of your e-cars

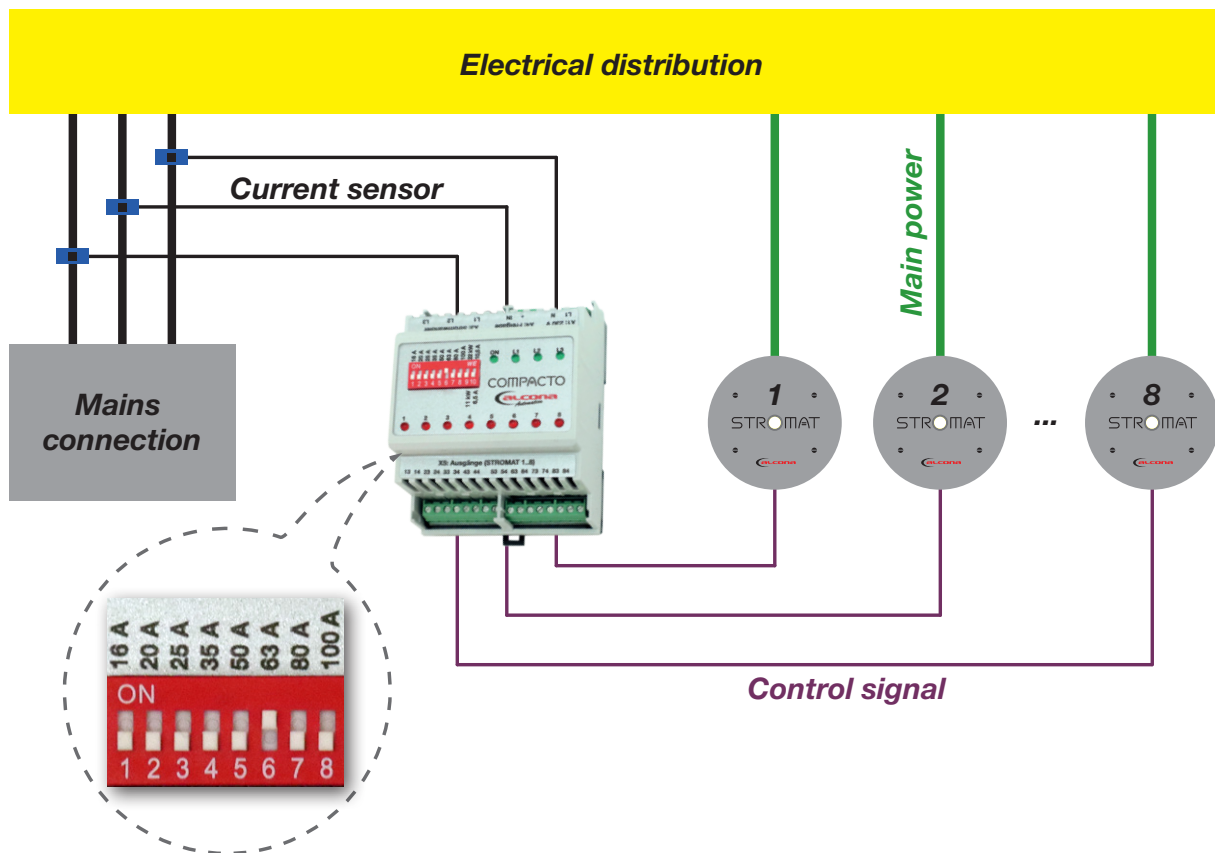
When **installing several charging points**, it can quickly lead to an **overload** of the mains connection. With the COMPACTO, the small and dynamic load management system from alcona, you can optimize the **charging processes of your electric vehicles** and always ensure that the maximum total current available is ideally used.

The COMPACTO is a DIN rail module for installation in electrical distribution. The scope of delivery includes **3 clip-on current transformers**. These converters record the current of the 3 phases at the house connection. The maximum current can be set by **switches on the front** of the module. If the recorded current reaches the **maximum setpoint current**, the performance of connected STROMAT charging stations will be reduced or, if necessary, switched off.



NEW

COMPACTO



Up to **8 charging stations** can be controlled directly with the COMPACTO. If more than 8 charging points are used, the COMPACTO modules can be connected in series according to the **master-slave principle**. In this way, an infinite number of charging points can be implemented.

LEDs on the front of the module indicate the **currents** of the 3 phases and signal the **performance** of the individual charging points. The switches are used to set the **maximum current**. This simple operation directly on the module means that there is no need for **separate configuration software**.

The COMPACTO is available in 2 performance classes:

- **100 A** (setting range 16/20/25/35/50/63/80/100 A)
- **200 A** (setting range 63/80/100/125/160/200 A)

“The COMPACTO fromalcona was the ideal solution for us to implement our electromobility strategy without the need of additional investments in upgrading our grid connection. This saved costs of almost € 30.000.“

Dr. Uwe Mertens, Autohaus Ford Mertens, Beckum